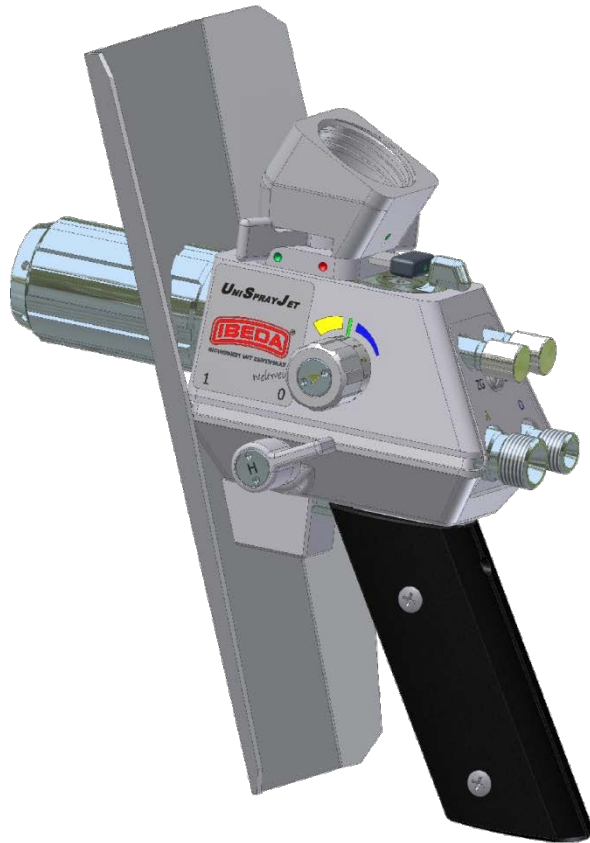


UNISPRAYJET



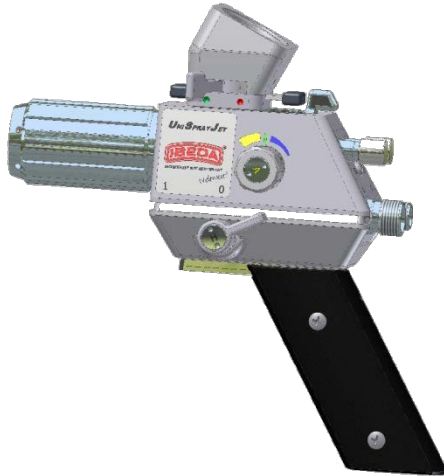
UNISPRAYJET Flame spraying gun



SOLUTIONS FOR GASES

UNISPRAYJET

Robust and very efficient powder flame spraying gun



Flame spraying gun for thermal spraying with powder using oxy-fuel gas flame. Function and safety are guaranteed through a gas mixture system using the injector principle.

Following fuel gases can be used acetylene, propane, hydrogen in combination with oxygen, as well as compressed air used for cooling purposes.

The *UNISPRAYJET* is designed for the universal application where wear and corrosive protection have to be considered

Highlights:

- Integrated powder transport system
- With the integrated gate valve many types of transport gases can be used
- Overhead position through removable and 180° changeable powder connection
- Just one powder connector with adjustable slider for different capacities
- Lever to turn gas on and off without changing the settings
- Model for the connection of an external separate powder feeder (*UNISPRAYJET SE*) or two external powder feeders (*UNISPRAYJET DUAL*)

Areas of use/application:

Metal powder coating for the hot and cold spraying techniques with self flowing
or metal and oxidised ceramic powders

Corrosion resistant coatings

On the basis of low melting metal flame spraying powder (for example zinc and aluminium)

Plastic coatings

Many different types of thermo-Plastics and epoxy resins

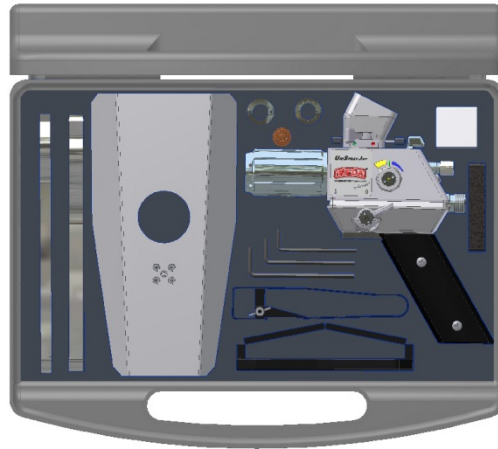
Because of its modular-building-system, the standard gun *UNISPRAYJET* can be used for many applications.

- Accessories available on request
- IBEDA safety devices are also available



SOLUTIONS FOR GASES

IBEDA UniSprayJet



Part no.	Description
5000-0015	UniSprayJet kit for metal flame spraying
	or
5000-0016	UniSprayJet SE kit for metal flame spraying
	Standard accessories list
5000-0002	UNI SPRAY JET G1/4RH – 3/8 LH
	or
5000-0003	Uni Spray Jet SE G1/4RH – 3/8 LH to use with an external powder feeder (both guns are also available with 9/16 connections)
1014-0014	USJ-N-A spray nozzle (built in)
1014-0001	P/K ring nozzle(built in)
1014-0018	USJ HT/S(A) nozzle
1383-0007	Lathe carrier support attachment
1383-0006	Heat shield with clip-on shoe
7730-0007	Nozzle cleaning needle set
7730-0002	Adjustable wrench
7730-0001	Open ended fork wrench 24 mm
7730-0005	Brass wire brush
7730-0006	Gas lighter
7730-0008	Protective welding goggles
7730-0004	Tool bag
7730-0003	Allen key 4mm
7730-0014	Allen key 3mm
7730-0011	Allen key 2mm
1014-0051	Fan nozzle - F -
1014-0004	Pressure nozzle - S - 0,3 mm
1014-0003	Pressure nozzle - N - 0,45 mm(built in)
1010-0009	Blindring B/R
7440-0394	O-ring 29,87 X 1,78
7440-0010	O-ring 5 X 1,5
	Instruction manual



SOLUTIONS FOR GASES

**Part
Number Description**

Modification parts for zinc powder

- 1010-0009 Blocking nozzle-B/R (part of the kit)
- 1401-0001 Manual slide valve for compressed air
- 1014-0015 LT-A nozzle **(Acetylene)**

alternative for example zinc, plastic and other low temperature spray material

- 1014-0016 LT-P nozzle **(Propane)**
for plastic and for thermoplastic etc.

Modification parts for plastic powder

- 1010-0009 Blocking nozzle –B/R- (part of the kit)
- 1401-0001 Manual slide valve for compressed air
- 1014-0015 LT-A nozzle **(Acetylene)**

alternative for example zinc, plastic and other low temperature spray material

- 1014-0016 LT-P nozzle **(Propane)**
for plastic, thermoplastic, etc.

- 1067-0009 Powder module receptacle black

Modification parts for ceramic powder

- 1014-0051 Fan nozzle –F- (part of the kit)
- 1401-0001 Manual slide valve for compressed air
- 1014-0004 Pressure nozzle S (part of the kit)
- 1014-0018 HT/S-A high temperature nozzle (part of the kit)

options for ceramic powders

- 1014-0068** Gas flow max- red max W/ wrench
Description
- 1014-0012 RED MAX air jet assembly
- 1014-0036 2pcs. Cooling nozzle
- 7730-0013 Hook wrench DIN 18108
- 1383-0018 Pneumatic vibrator for powder cartridge 250ccm



SOLUTIONS FOR GASES

Accessories, Spare Parts UniSprayJet

Part Number	Description
1383-0001	Refillable powder cartridge
1067-0001	Powder module head black
1014-0013	R/F N-A spray nozzle
0181-0182	Hose Package A-O/2 5m G3/8LH-G1/4RH
7640-0617	Compressed air hose 1Mpa-5x3 G3/8RH-G1/8RH 6,5m
0069-4002	D1 Coupling pin -F G3/8LH -red
0069-4006	D1 Coupling pin -O G1/4RH -blue
3000-0074	Coupling DKG G3/8LH Fuel gas EN561
3000-0068	Coupling DKG G1/4RH Oxygen EN561
3000-0064	Flashback arrestor DGN G3/8LH EN730
3000-0065	Flashback arrestor DGN G1/4RH EN730
6454-0068	Cylinder regulator Acetylene 1,5bar ISO2503
6454-0065	Cylinder regulator Oxygen 200 / 10 bar
0005-0246	Swivel nut EN560 G3/8LH SW19 B12,5
0005-0243	Swivel nut EN560 G1/4RH SW17 B9,5
0005-0501	Swivel nut EN560 G1/8RH SW12 B7,2
0006-0381	Hose pin EN560 G3/8X9mm
0006-0381	Hose pin EN560 G1/4X6mm
0006-0549	Hose pin EN560 G1/8X4mm



1383-0001 Refillable powder cartridge



SOLUTIONS FOR GASES